

PLUS PIM101 GATEWAY IoT MODULE



PIM101 IoT module adds to all products in the PLUS family, the IoT connectivity necessary for a fast, simple and transparent integration of the data of each sensor with the Tekon IoT Platform. Acting as middleware between WGW420 gateway and Tekon IoT Platform, it provides all operating configurations as well as sending and collecting data, via Ethernet connection, from transmitters installed in the field. In addition to IoT connectivity, it adds the Modbus TCP / IP interface, useful for industrial integrations with PLC, consoles or local networks. Through PIM101, data from the PLUS wireless family can be integrated with other applications through the REST API.

Dimensions: 36 x 90 x 56 mm

Weight: 135 g

Material: PA (UL 94 V-0) / Polycarbonate

Protection Index: IP40

KEY FEATURES

MODBUS TCP/IP COMMUNICATION

ETHERNET TCP/IP COMMUNICATION

NATIVE INTEGRATION OF PLUS PRODUCT FAMILY WITH TEKON IOT PLATFORM

INTEGRATION WITH THIRD-PARTY APPLICATIONS THROUGH REST API

INTUITIVE CONFIGURATION THROUGH WEBSERVER

DS_PLUS_PIM101_E01A

TECHNICAL SPECIFICATIONS

RS-485 COMMUNICATION

Protocol	MODBUS RTU (Master)
Baud rate	4,8 to 115,2kbit/s (configurable)
Parity	none/even/odd (configurable)
Stop bits	1 (even/odd parity) or 2 (none)
Addresses	1 to 247

POWER SUPPLY

Supply voltage	12 to 24V DC \pm 5% ¹
Current consumption (max.)	100mA DC to 24V DC / 200mA DC to 12V DC
Protection	Against reversed polarity

INTERFACE

Indicators	Frontal Panel LED
Communication	Ethernet

ETHERNET COMMUNICATION PORT

Interface	Ethernet (RJ45) port
Speed	100Mbps
IP address	Dynamic (provided by network DHCP server) or Static (default) IP
Protocol	Modbus TCP/IP (Server/Slave)
Modbus TCP/IP port	1502
Proxy	Configurable

IOT CONNECTIVITY

Integration with Tekon IoT Platform
REST API

MECHANICAL INTERFACE

Maximum wire section	2,5mm ²
----------------------	--------------------

OPERATING ENVIRONMENT

ENVIRONMENTAL CONDITIONS

STORAGE CONDITIONS

Temperature	0 to 80°C	-20 to 80°C
Relative humidity	N/A	≤ 95% (non- condensing)

CASING

Dimensions	36 x 90 x 56 mm
Weight	135 g
Material	PA (UL 94 V-0) / Polycarbonate
Protection index	IP40

FACTORY DEFAULT SETTINGS

RS-485 baud rate	115200 bit/s
RS-485 parity	None
RS-485 stop bits	2
Modbus address	1
Ethernet IP	192.168.100.1
Proxy	none
NTP Server	pt.pool.ntp.org

WEB PORTAL ACCESS

	WIFI	ETHERNET
IP	192.168.128.1	192.168.100.1
Login	admin	admin
Password	admin	admin
SSID	PIM101_Tekon	N/A
Access Point password	bresimar	N/A

CERTIFICATIONS AND APPROVALS

EN 61326-1 - Class B - Industrial Requirements

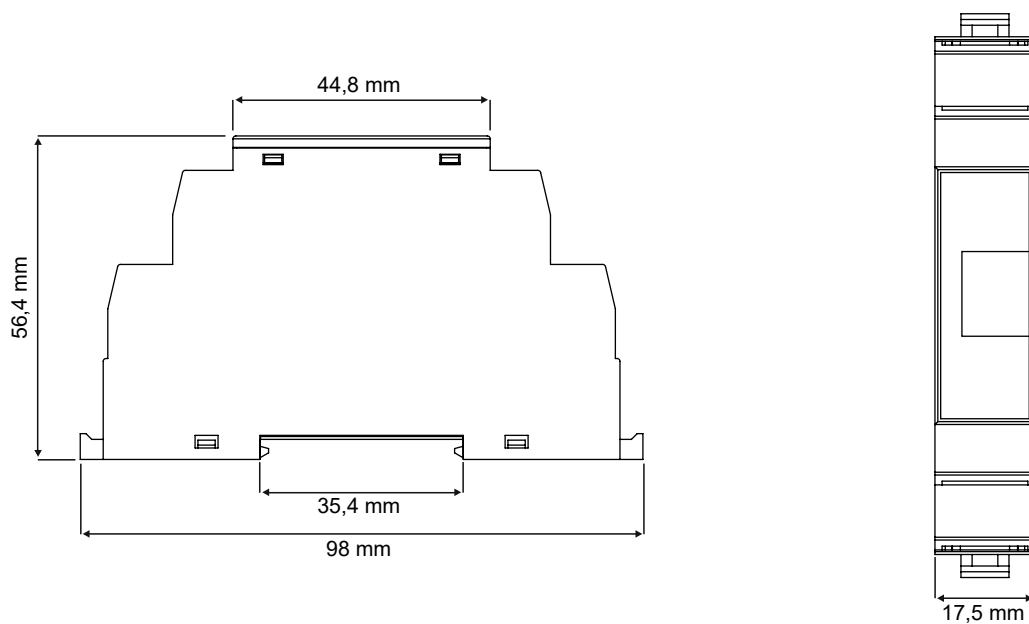
EN 301 489-1 V2.2.1

EN 60950-1:206

It is recommended to use a power supply with short-circuit current protection or equipped with a fuse.

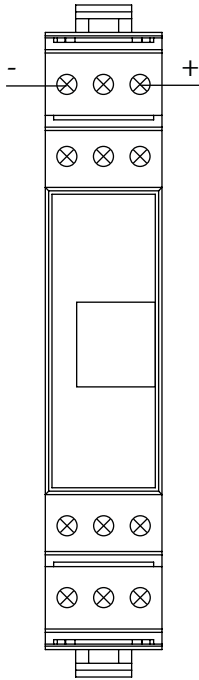
TECHNICAL DRAWINGS

DIMENSIONAL DRAWINGS AND INTERFACE DESIGN

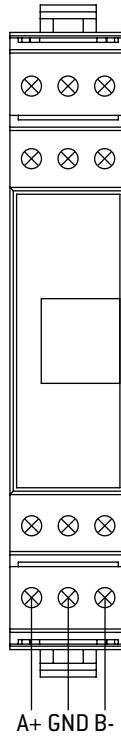


ELECTRICAL CONNECTIONS

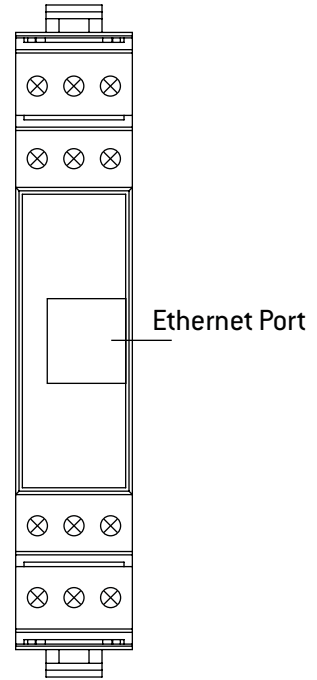
Power Supply



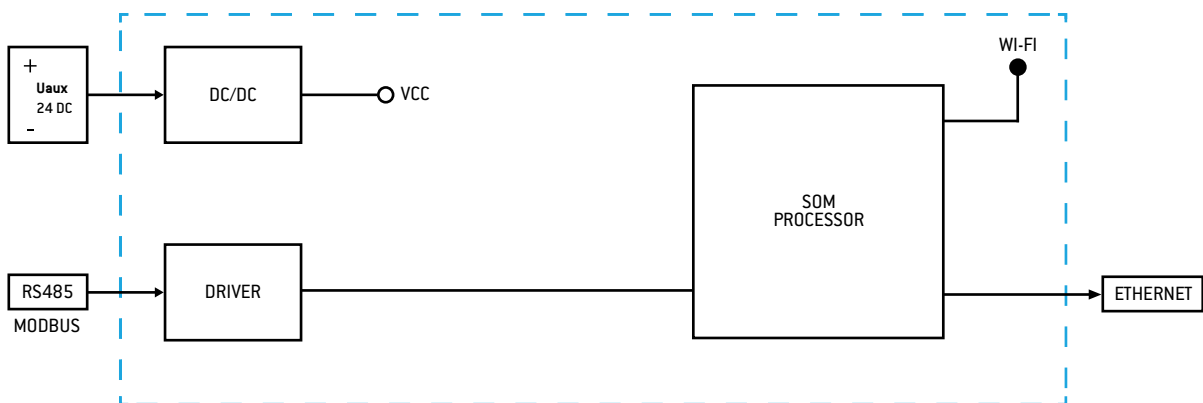
RS485



Ethernet



BLOCK DIAGRAM



TEKON ELECTRONICS
a brand of Bresimar Automação S.A.

Avenida Europa, 460
Quinta do Simão
3800-230 Aveiro
PORTUGAL

P.: +351 234 303 320
M.: +351 933 033 250
E.: sales@tekonelectronics.com

Electroserv (TC & S) Ltd
Unit 4 Heather Close,
Lyme Green Business Park,
Macclesfield,
Cheshire,
SK11 0LR

T 01625 618526
E sales@electroserv.co.uk