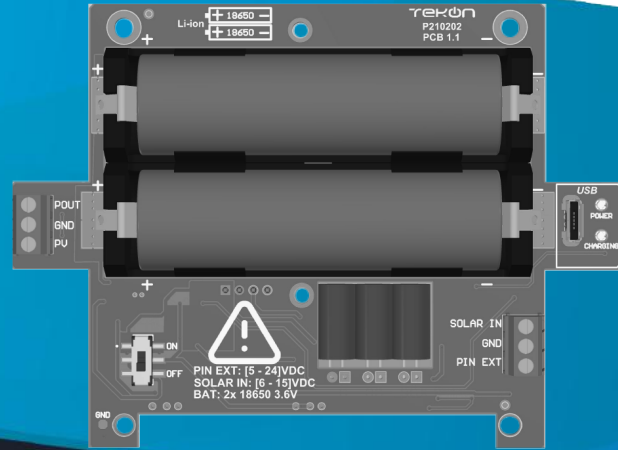


# PLUS INTERNAL RECHARGEABLE BATTERIES KIT



## TECHNICAL SPECIFICATIONS

### REFERENCE

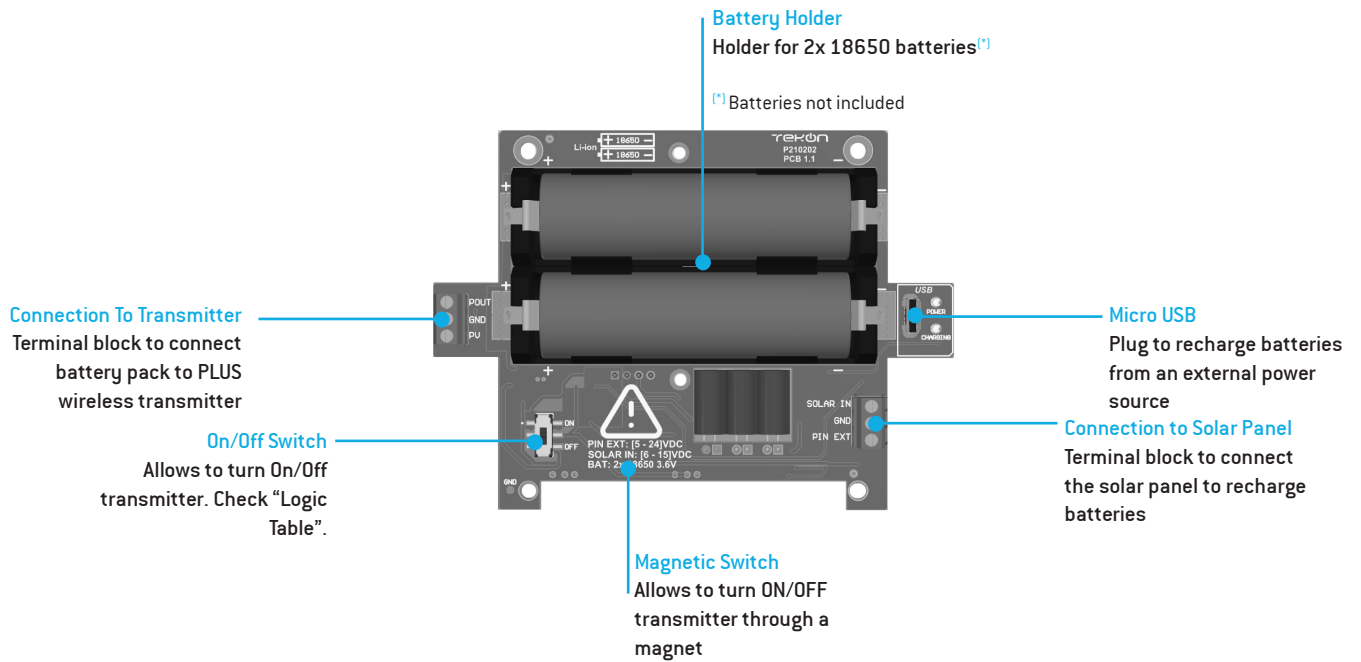
PA123791300

### COMPATIBLE WITH FOLLOWING DEVICES

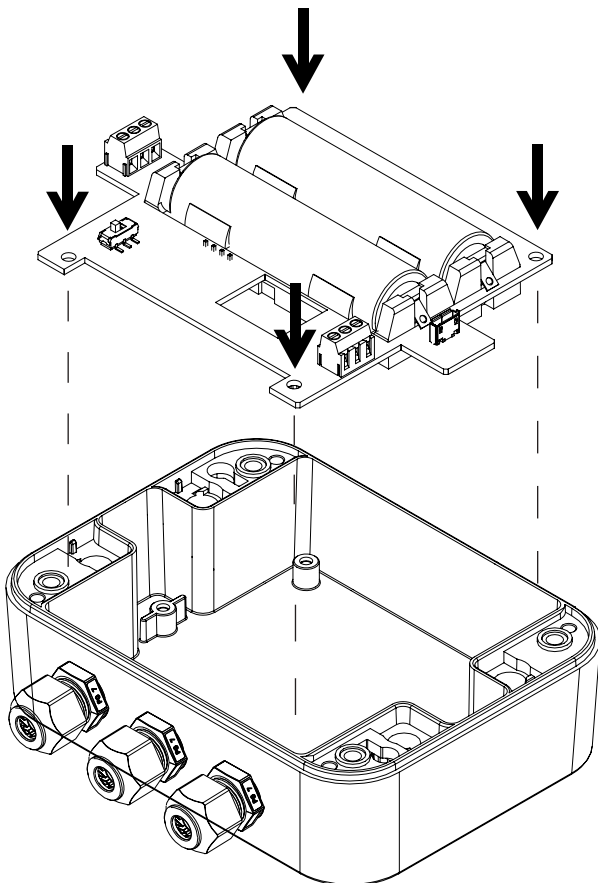
PA202320310	PLUS TWP-1AI 868 MHZ
PA202320320	PLUS TWP-1AI 915 MHZ
PA202320510	PLUS TWP-1DI 868 MHZ
PA202320520	PLUS TWP-1DI 915 MHZ
PA202320110	PLUS TWP-1UT 868 MHZ
PA202320120	PLUS TWP-1UT 915 MHZ
PA202320111	PLUS TWP-1UT-IN 868 MHZ
PA202320121	PLUS TWP-1UT-IN 915 MHZ
PA202320410	PLUS TWP-2AI 868 MHZ
PA202320420	PLUS TWP-2AI 915 MHZ
PA202320610	PLUS TWP-2DI 868 MHZ
PA202320620	PLUS TWP-2DI 915 MHZ
PA202320210	PLUS TWP-2UT 868 MHZ
PA202320220	PLUS TWP-2UT 915 MHZ
PA202320211	PLUS TWP-2UT-IN 868 MHZ
PA202320221	PLUS TWP-2UT-IN 915 MHZ

DS\_PLUS\_INT\_RECHARG\_BAT\_KIT\_E01B

DESCRIPTION



MOUNTING INSTRUCTIONS



Instructions

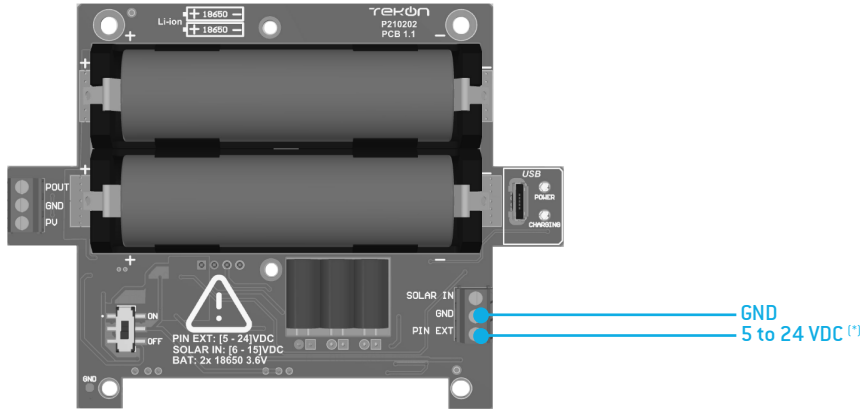
- 1) Open your PLUS wireless transmitter
- 2) Place the electronic board inside the rear casing. Follow the orientation of the picture.
- 3) Place and fasten the 4 screws in the holes at the top and bottom of electronic board.
- 4) Connect the cable to the transmitter board. (See "Connection to Transmitter" diagram)

Note:

4 x 1/4x4 DIN7981 screws included.

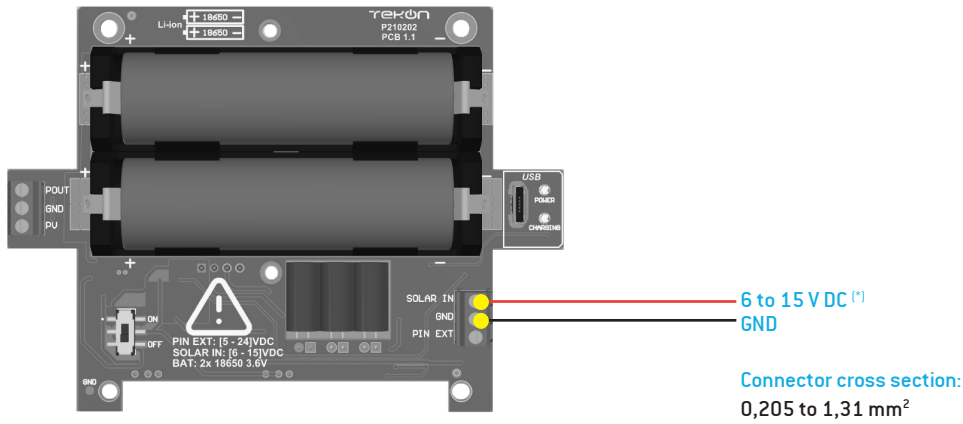
WIRING DIAGRAM

External Power Supply

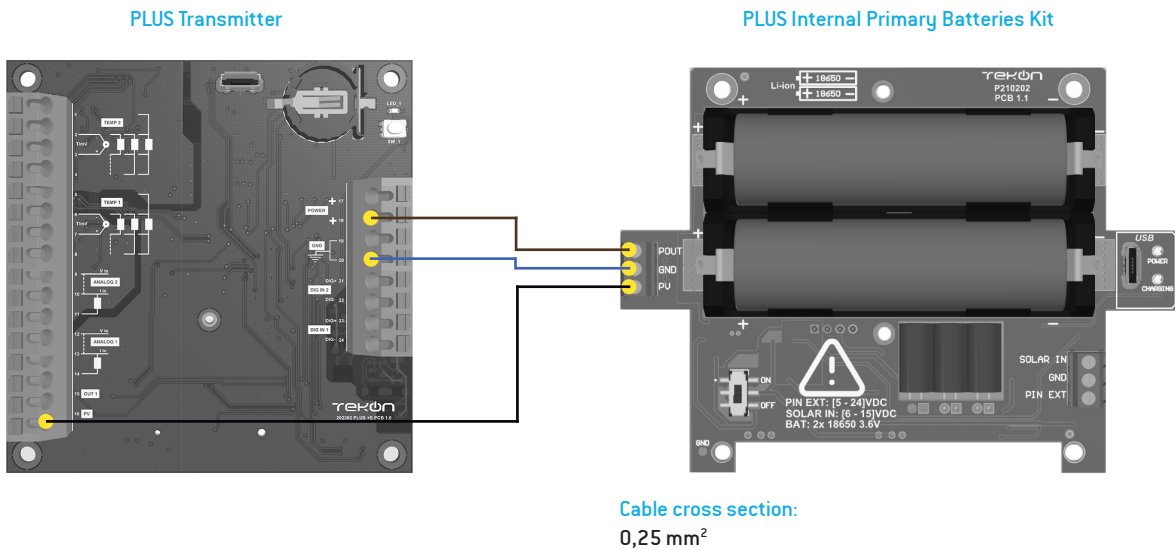


(\*) External power can work simultaneously with primary batteries. Batteries works as a backup power when external voltage is equal or higher than 5,5 V.  
 Cross section of connector: 0,205 to 1,31 mm<sup>2</sup>.

Connection to Solar Panel

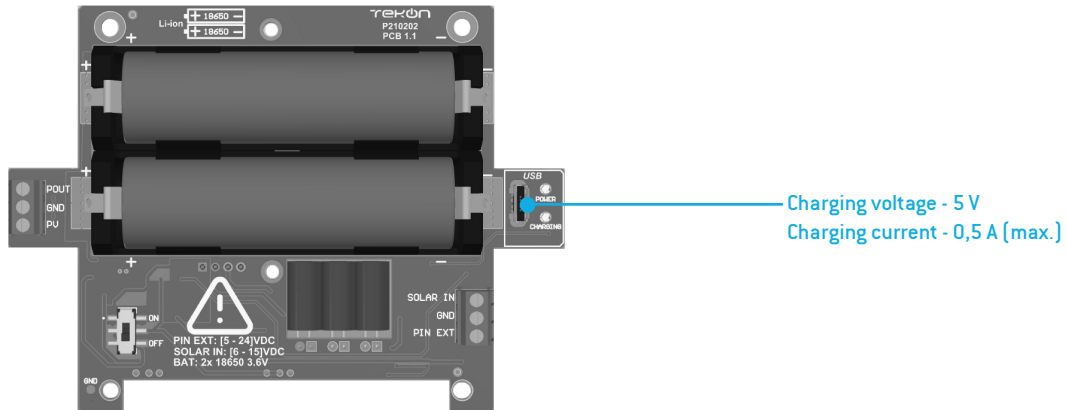


Connection to Transmitter



Note: If "PV" connection is in use, PLUS wireless transmitter will send battery voltage to gateway, otherwise the transmitter will provide "Power Out" voltage.

USB Battery Charging



LEDS DESCRIPTION

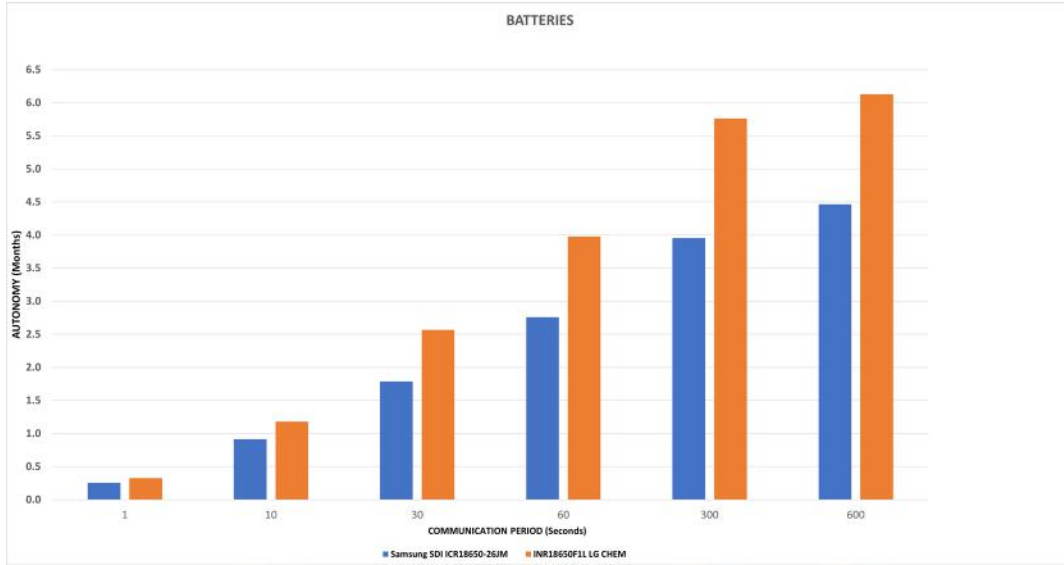
RED (POWER)	BLUE (RECHARG.)	DESCRIPTION
ON	OFF	Charging system is powered by USB and batteries are fully charged
ON	ON	Charging system is powered by USB and batteries are charging
OFF	OFF	Recharge system is not powering the charging system

**BATTERIES**

RATED BATTERIES (\*)

BRAND	SAMSUNG	LG
Model	SDI ICR18650-26JM	INR18650F1L LG CHEM
TME Part Number	ACCU-ICR18650-26JM	ACCU-INR18650-3.35
Classification	Lithium	Lithium
Nominal Voltage	3,63 V	3,63 V
Charging Voltage	4,2 V	4,2 V
Charging Time	3 hours	4 hours
Type	18650	18650
Operating Temperature		
Charge	0°C to 45°C	0°C to 45°C
Discharge	-20°C to 60°C	-20°C to 50°C

PERFORMANCE



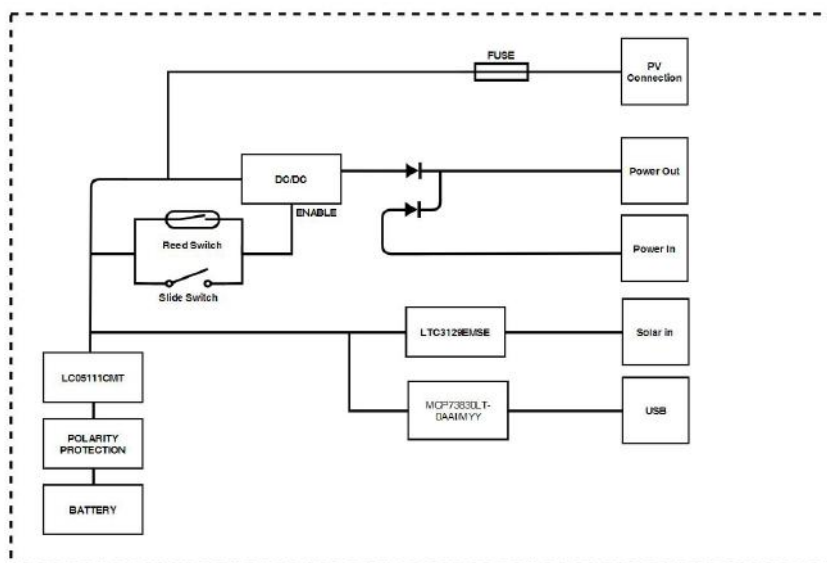
<sup>(\*)</sup>Data obtained through theoretical approach.

SWITCH

LOGIC TABLE

REED SWITCH	ON / OFF SWITCH	POWER OUT
On	On	On
On	Off	On
Off	On	On
Off	Off	Off

BLOCK DIAGRAM



CERTIFICATIONS AND APPROVALS

EMC Directive 2014/30/EU

EN 61326-1

2011/65/EU - July 1, 2011

REVISION HISTORY

VERSION

VERSION	
E01B	Update of battery autonomy chart.

© BRESIMAR AUTOMAÇÃO, S.A.  
All rights reserved.

The contents of this document (texts, images, brands, corporate image, trade name, designs, methodological and product descriptions, among others), as well as its structure and design, are owned by Bresimar Automação, SA (herein in referred to as Bresimar) or, it has legitimacy for its use, being strictly prohibited the modification, exploitation, reproduction, communication to third parties or distribution of all or part of the contents of this document, without the prior express written consent of Bresimar .

Bresimar will not be liable for any claim, loss or damages resulting from or arising from a cause over which Bresimar has no control, whether by acts or omissions, breach of contract or non-compliance with applicable laws by the Supplier , as well as incidents caused by the client's systems.

TEKON ELECTRONICS  
a brand of Bresimar Automação S.A.

Avenida Europa, 460  
Quinta do Simão  
3800-230 Aveiro  
PORTUGAL

P.: +351 234 303 320  
M.: +351 933 033 250  
E.: sales@tekonelectronics.com

Electroserv (TC & S) Ltd  
Unit 4 Heather Close,  
Lyme Green Business Park,  
Macclesfield,  
Cheshire,  
SK11 0LR

T 01625 618526  
E sales@electroserv.co.uk

Cofinanciado por:



UNIÃO EUROPEIA  
Fundo Europeu  
de Desenvolvimento Regional