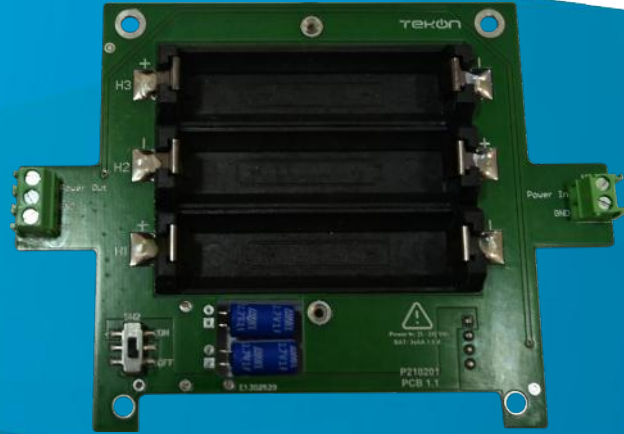


# PLUS INTERNAL PRIMARY BATTERIES KIT



## TECHNICAL SPECIFICATIONS

### REFERENCE

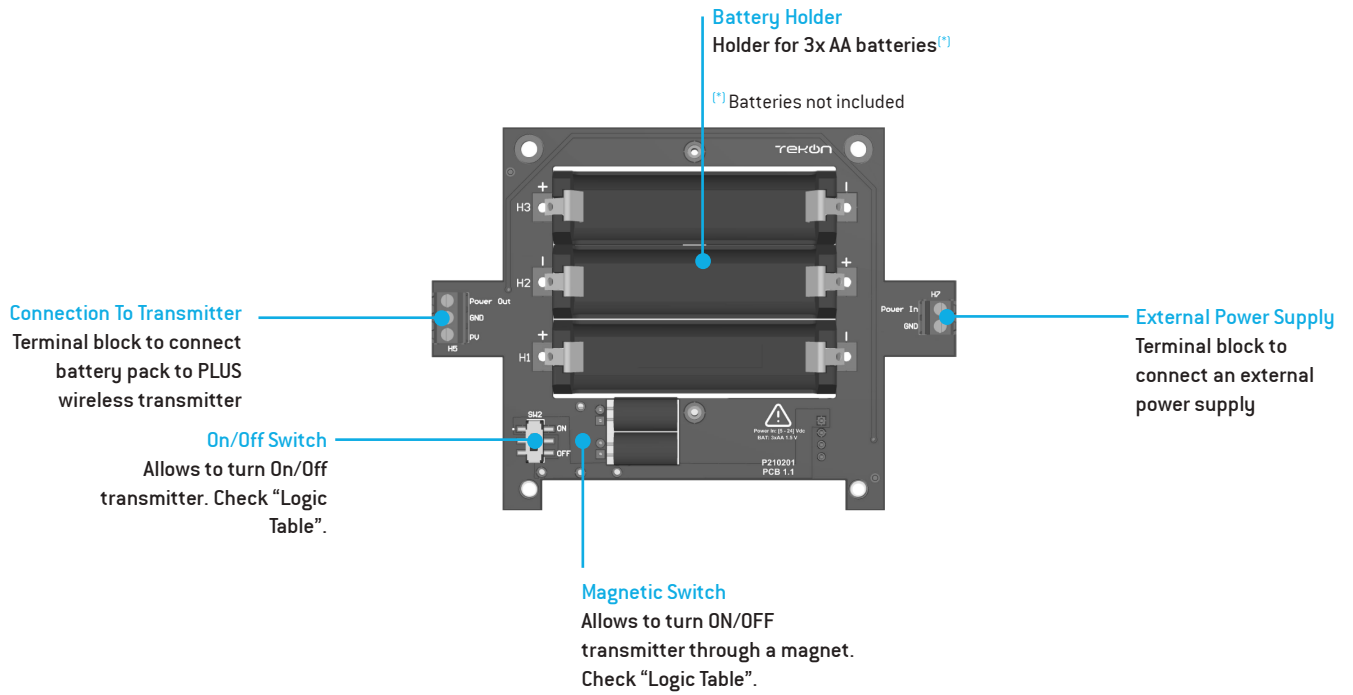
PA123791200

### COMPATIBLE WITH FOLLOWING DEVICES

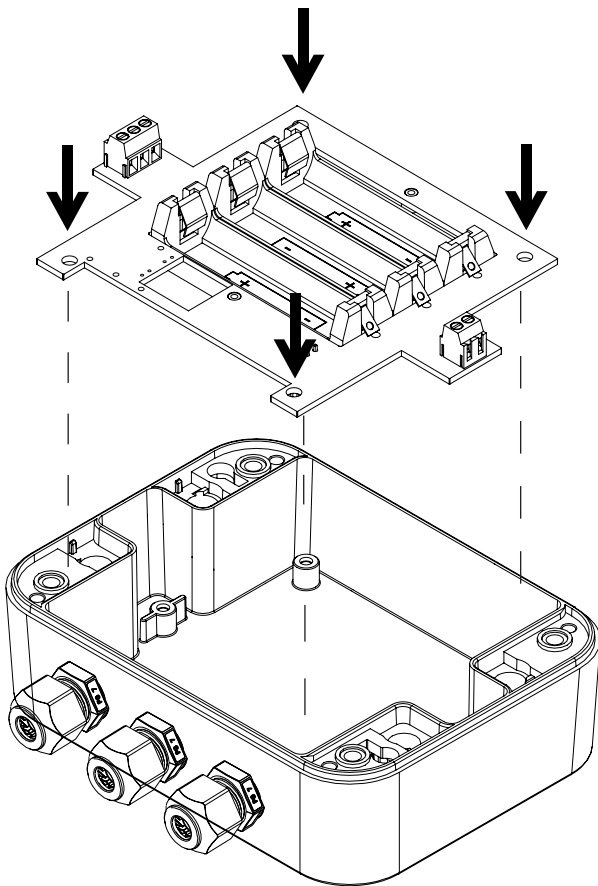
PA202320310	PLUS TWP-1AI 868 MHZ
PA202320320	PLUS TWP-1AI 915 MHZ
PA202320510	PLUS TWP-1DI 868 MHZ
PA202320520	PLUS TWP-1DI 915 MHZ
PA202320110	PLUS TWP-1UT 868 MHZ
PA202320120	PLUS TWP-1UT 915 MHZ
PA202320111	PLUS TWP-1UT-IN 868 MHZ
PA202320121	PLUS TWP-1UT-IN 915 MHZ
PA202320410	PLUS TWP-2AI 868 MHZ
PA202320420	PLUS TWP-2AI 915 MHZ
PA202320610	PLUS TWP-2DI 868 MHZ
PA202320620	PLUS TWP-2DI 915 MHZ
PA202320210	PLUS TWP-2UT 868 MHZ
PA202320220	PLUS TWP-2UT 915 MHZ
PA202320211	PLUS TWP-2UT-IN 868 MHZ
PA202320221	PLUS TWP-2UT-IN 915 MHZ

DS\_ACC\_PLUS\_INT\_PRIM\_BAT\_KIT\_E01B

DESCRIPTION



ASSEMBLY INSTRUCTIONS



Instructions

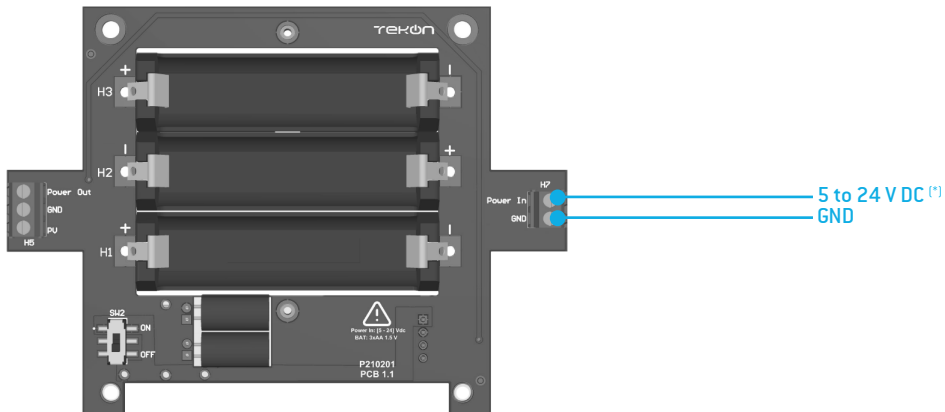
- 1) Open your PLUS wireless transmitter
- 2) Place the electronic board inside the rear casing. Follow the orientation of the picture.
- 3) Place and fasten the 4 screws in the holes at the top and bottom of electronic board.
- 4) Connect the cable to the transmitter board. (See "Connection to Transmitter" diagram)

Note:

4 x 1/4x4 DIN7981 screws included.

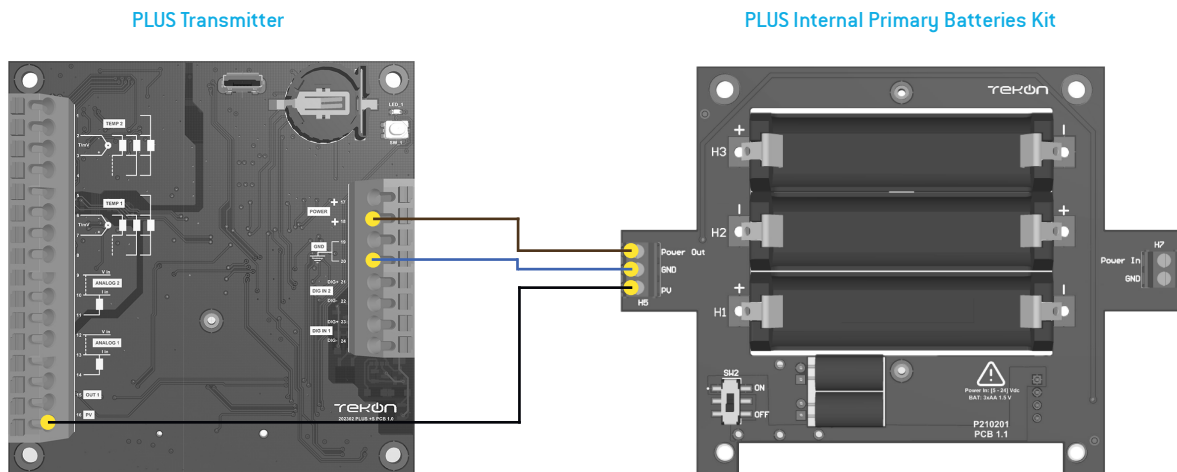
WIRING DIAGRAM

External Power Supply



(\*) External power can work simultaneously with primary batteries. Batteries work as a backup power when external voltage is equal or higher than 5,5 V.  
 Cross section of connector: 0,205 to 1,31 mm<sup>2</sup>.

Connection to Transmitter



Cable cross section:  
 0,25 mm<sup>2</sup>

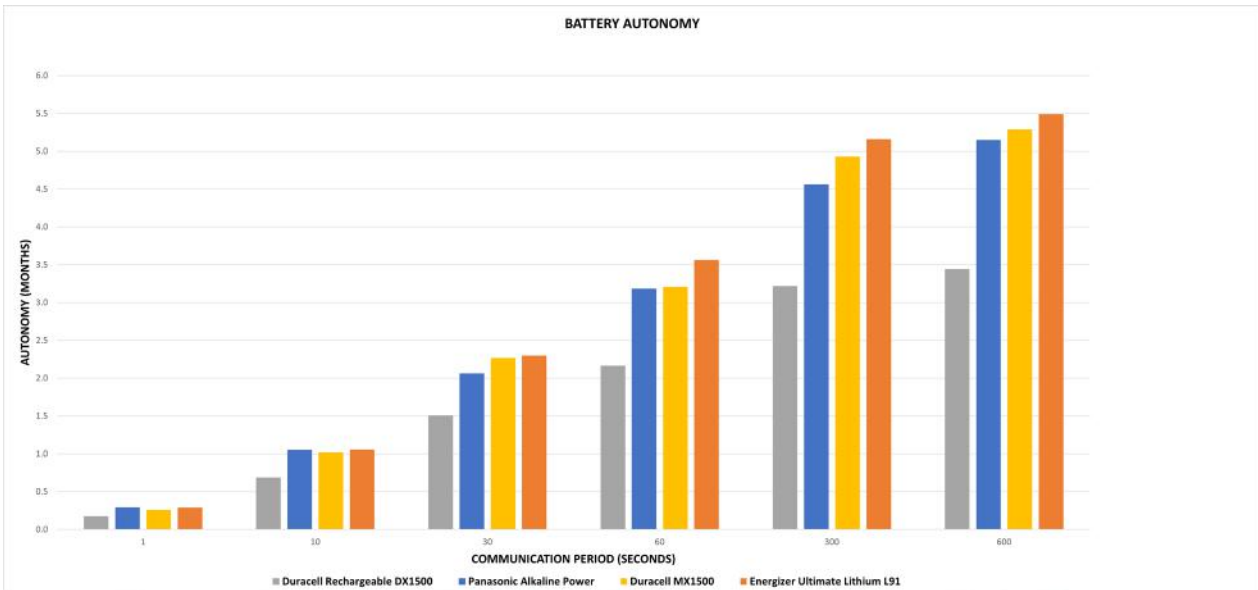
Note: If "PV" connection is in use, PLUS wireless transmitter will send battery voltage to gateway, otherwise the transmitter will provide "Power Out" voltage.

BATTERIES

RECOMMENDED BATTERIES (\*)

BRAND	ENERGIZER	PANASONIC	DURACELL	DURACELL
Model	Ultimate Lithium L91	Alkaline Power	MN1500	DX1500H
TME Part Number	BAT-FR6/EGL-B4	BAT-LR06/P-B4	BAT-LR6/DR-B12	ACCU-R6/2500/DR
Classification	Lithium	Alkaline	Alkaline	Rechargeable
Chemical System	Li/FeS <sub>2</sub>	Zn/MnO <sub>2</sub>	Zn/MnO <sub>2</sub>	Ni-MH
Nominal Voltage	1,5 V	1,5 V	1,5 V	1,2 V
Type	AA	AA	AA	AA
Operating Temperature	-40°C to 60°C	-20°C to 54°C	-20°C to 54°C	-10°C to 50°C

PERFORMANCE TESTS



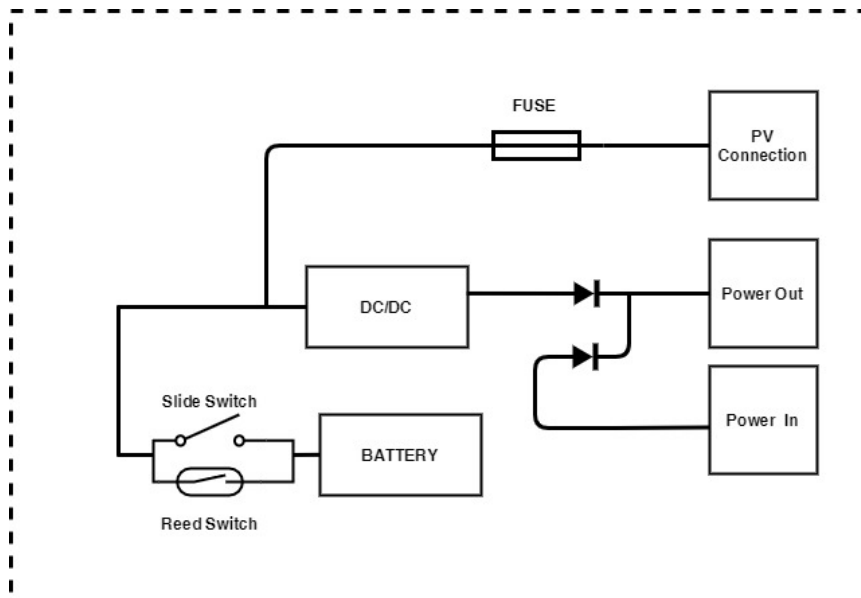
<sup>(1)</sup> Tests performed with PLUS TWP-xUT transmitter at ambient temperature (23°C).

SWITCH

LOGIC TABLE

REED SWITCH	ON / OFF SWITCH	POWER OUT
On	On	On
On	Off	On
Off	On	On
Off	Off	Off

BLOCK DIAGRAM



CERTIFICATIONS AND APPROVALS

EMC Directive 2014/30/EU

EN 61326-1

2011/65/EU - July 1, 2011

REVISION HISTORY

VERSION

E01B Update of battery autonomy chart.

© BRESIMAR AUTOMAÇÃO, S.A.

All rights reserved.

The contents of this document (texts, images, brands, corporate image, trade name, designs, methodological and product descriptions, among others), as well as its structure and design, are owned by Bresimar Automação, SA (herein in referred to as Bresimar) or, it has legitimacy for its use, being strictly prohibited the modification, exploitation, reproduction, communication to third parties or distribution of all or part of the contents of this document, without the prior express written consent of Bresimar .

Bresimar will not be liable for any claim, loss or damages resulting from or arising from a cause over which Bresimar has no control, whether by acts or omissions, breach of contract or non-compliance with applicable laws by the Supplier , as well as incidents caused by the client's systems.

TEKON ELECTRONICS  
a brand of Bresimar Automação S.A.

Avenida Europa, 460  
Quinta do Simão  
3800-230 Aveiro  
PORTUGAL

P.: +351 234 303 320  
M.: +351 933 033 250  
E.: sales@tekonelectronics.com

Electroserv (TC & S) Ltd,  
Unit 4 Heather Close,  
Lyme Green Business Park,  
Macclesfield,  
Cheshire,  
SK11 0LR

T 01625 618526  
E sales@electroserv.co.uk

Cofinanciado por:



UNIÃO EUROPEIA  
Fundo Europeu  
de Desenvolvimento Regional