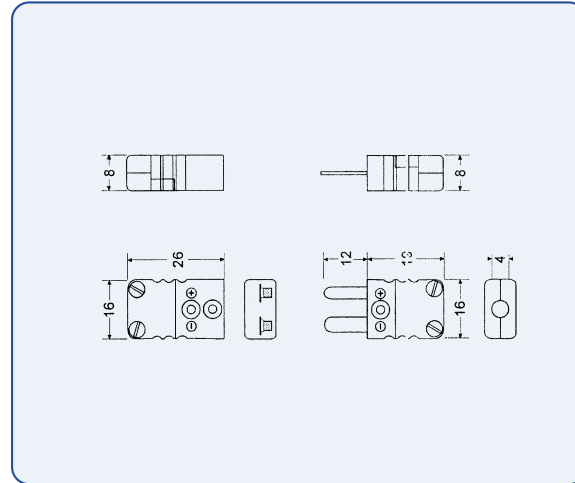
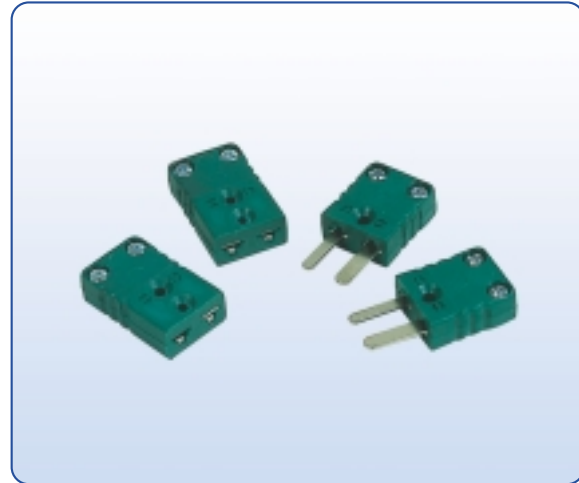


Connectors

Miniature Connector



Application:

These miniature thermocouple connectors are manufactured to a high specification and have contacts of thermocouple material to ensure thermocouples and cables are connected without spurious emf's affecting the accuracy of the system.

Construction:

Glass filled thermoplastic body with original thermocouple material pins and springloaded inserts. Polarized pins ensure proper connection.

Accessories:

See pages 47-48.

Wire size:

Accepts wires from 0.2mm to 0.6mm. Maximum cable diameter 4.5mm

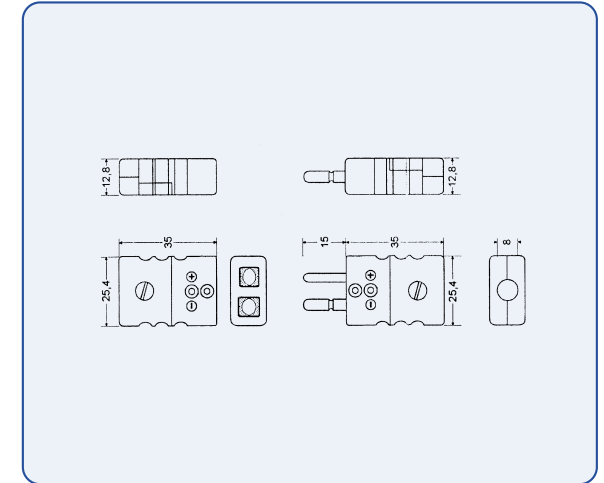
Temperature rating:

200°C max.

Colour Code:

Available in all colour code standards.

Standard Connectors Solid Pin



Application:

These connectors are designed for use with thermocouples and thermocouple extension and compensating cable. They are manufactured using solid pins to ensure a reliable connection. The plug and socket contact materials consist of thermocouple alloy to ensure continuity of material type and prevent inaccuracies in the temperature measuring circuit.

Construction:

Glass filled thermoplastic body with original thermocouple material pins and springloaded inserts. Polarized pins. Central cover screw design for quick wiring. Captive cover screw for easy assembly.

Accessories:

All accessories for the standard connector can be fitted. See pages 46 - 47.

Wire size:

Accepts wires from 0.2mm to 2.0mm. Maximum cable diameter 8.0mm

Temperature rating:

200°C max.

Colour Code:

Available in all colour code standards.

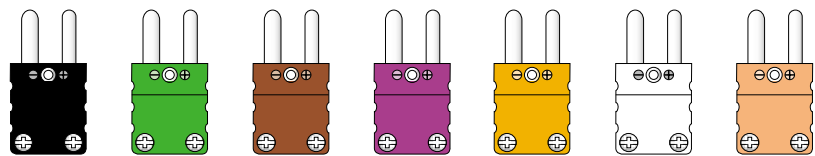
ORDER CODE

IEC Colour Code

Colour Body

Part number male plug
Part number female socket

Black	Green	Brown	Violet	Orange	White	Pink
TCMP-JI	TCMP-KI	TCMP-TI	TCMP-EI	TCMP-RI	TCMP-UI	TCMP-NI
TCMJ-JI	TCMJ-KI	TCMJ-TI	TCMJ-EI	TCMJ-RI	TCMJ-UI	TCMJ-NI



Calibration Code

Contact Material Positive
Contact Material Negative

J	K	T	E	R/S	U	N
Fe	NiCr	Cu	NiCr	Cu	Cu	NiCrSi
CuNi	NiAl	CuNi	CuNi	Alloy11	Cu	NiSi

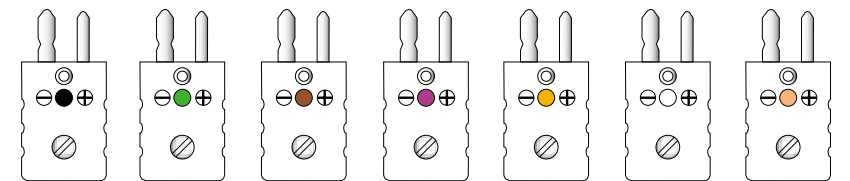
ORDER CODE

IEC Colour Code

Colour Body

Part number male plug
Part number female socket

Black	Green	Brown	Violet	Orange	White	Pink
TCSP-JI	TCSP-KI	TCSP-TI	TCSP-EI	TCSP-RI	TCSP-UI	TCSP-NI
TCSJ-JI	TCSJ-KI	TCSJ-TI	TCSJ-EI	TCSJ-RI	TCSJ-UI	TCSJ-NI



Calibration Code

Contact Material Positive
Contact Material Negative

J	K	T	E	R/S	U	N
Fe	NiCr	Cu	NiCr	Cu	Cu	NiCrSi
CuNi	NiAl	CuNi	CuNi	Alloy11	Cu	NiSi